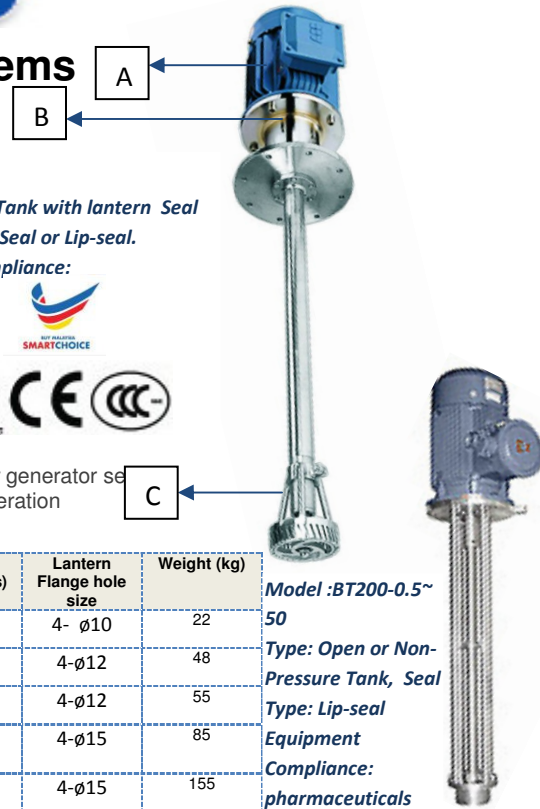


BT200 "Dyna-Stream" Batch Homogenizer- Ordering Information

Modular "Dyna-Stream" Batch Homogenizer Systems

Choose from shaft-generator assemblies to create the perfect system for your current application—
Shaping the homogenizer future !

- Customize your own system by choosing a variable-speed motor and a shaft depending on the viscosity of your sample
- Quick processing protects your samples from heat damage
- Quickly process volumes from 50 to 5,000 mL



Model :BT210-0.5~ 50

Type: Vacuum or Pressure Tank with lantern Seal

Type: Single ,Double Mech Seal or Lip-seal.

Warranty & Electricity Compliance:



A . Motor Drive and Technical Data

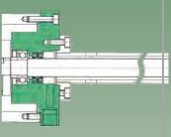
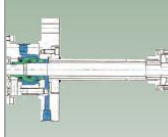
Built-in variable-speed controller VFD to lets you adjust speed from 0 to 6,000 rpm. Motors can be mounted on a lantern (vacuum or press direct mount on tank . To process higher volumes and viscosity up to 5,000L and 80,00cps.

What's included: 3-phase motor (normal or TEFC, flame proof, ATEX approved), stator and rotor generator set
The 110-120 VAC VFD inverter - US plug; the 220-240 VAC VFD inverter- European plug, User operation Manual, Accessory kit to open the stator rotor generator.

Model	Order No.	Motor Power(k W)	Container, application volume l (water)	Speed range(rpm)	Standard shaft length (mm)	Stator Diameter (mm)	Max Tip Speed (m/s)	Lantern Flange hole size	Weight (kg)
BT200-0.5	1711000000	0.37	Up to 25	3,000	350	45	12	4- φ10	22
BT200-01	1711010000	1.1	Up to 50	3,000	650	60	15	4- φ12	48
BT200-03	1711010000	2.2	Up to 150	3,000	750	80	17	4- φ12	55
BT200-05	1711010100	4.1	Up to 250	3,000	850	120	25	4- φ15	85
BT200-10	1711010200	7.45	Up to 1000	3,000	1150	160	32	4- φ15	155
BT200-25	1711010300	18.6	Up to 2000	3,000	1350	250	17	4- φ19	325
BT200-30	1711010400	22.37	Up to 3000	1,500	1450	330	16	4- φ19	495
BT200-50	1711010500	37.3	Up to 5000	1,000	1650	350	17	8- φ19	585
BT210-0.5-50	1711010600~1711012000	1.1~37.3	10~5,000	1,000~3,000	650~1650	50~350	15~32	-	48~585

Model :BT200-0.5~50
Type: Open or Non-Pressure Tank, Seal
Type: Lip-seal
Equipment
Compliance: pharmaceuticals manufacturing equipment's guidelines and standards

- BT200-0.5 ~50 is the having 3 stabilizer rod with propeller driven the flow of product's medium.

Model	Description	Order No.	Description	Order No.
	Sealing type for Choice			
BT200-SE		758710000		758720000
	Lip-Seal Temp.: 150 °C		Mech Seal Pressure:15 bar Temp.: 175 °C	





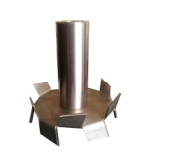

B . SealingSystem Assemblies

The Lip-Seal system- use in open or pressure-less closed vessels. The flange contains a sealing bushing with a built-in radial shaft seal ring can be operated at temperatures of up to 140 °C.

The mech seal system-use in closed pressure vessels. model contains a single or double-acting mechanical seal housed at the sealing flange, and a barrier system for lubrication and cooling of the seal rings. Composite materials can be customized to meet individual requirements. Operating pressures of up to 15 bar.Temperatures : ranging from - 40°C up to 175°C

C . Optional Stator-Rotor and Accessories Parts

Replacement for stator generators customize your system to your unique processing requirements. Choose from the below interchangeable rotor-stator generators to add to a shaft-generator assembly or replace the worn generators.

Model	Description Stator-Rotor for Replacement			
BT200-AC				
	<ul style="list-style-type: none"> • Dispersing, mixing and size reduction of coarse solids into liquid • Extractions • Mixing of fluids • Crushing of lumps • Intensive mixing 	<ul style="list-style-type: none"> Producing of emulsions and suspensions with medium droplet and particle sizes • Wet milling of medium sized solids • Extractions • Acceleration of reactions • Intensive mixing • Crushing of lumps 	<ul style="list-style-type: none"> - powder dispersions for the inks, paints and coating, adhesives, silicone emulsions and chemicals. It is suitable for mixing low and medium viscosities of up to 80,000 cps Size Range available :75~280 mm Volume: 500~10,000 l 	<ul style="list-style-type: none"> -High turbulent mixing with low shear forces - Fast dissolving and suspending of solids also at higher viscosities -mounted any positions in tank -No baffles required
Order No.	881010000	881020000	881030000	881040000

Please contact us for more info and quote :

